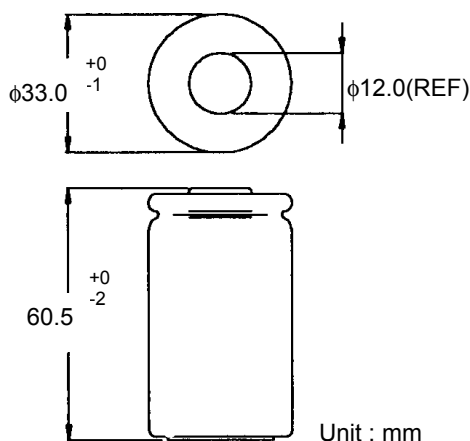


GP Batteries

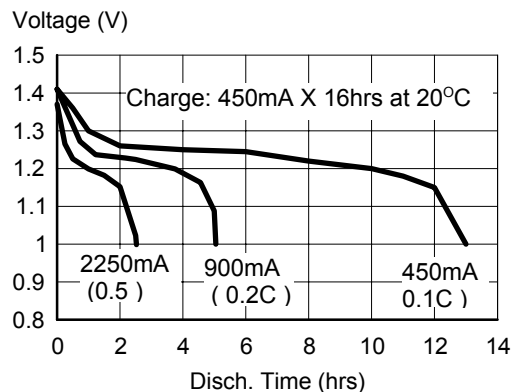
Data Sheet

Model No.: GP450DKT

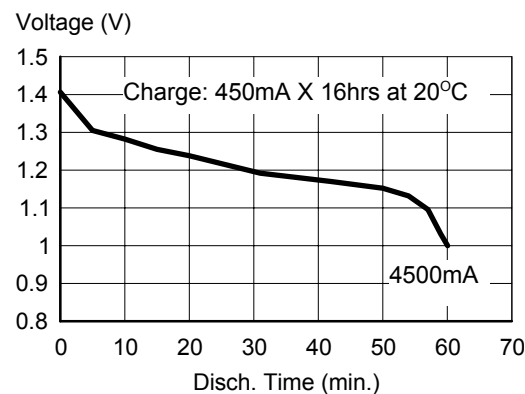
Type	: High Temperature Rechargeable Nickel Cadmium Cylindrical Cell	
Nominal Dimension (with Sleeve)	: $\varnothing = 33.0$ mm H = 60.5 mm	
Application	: Recommended discharge current 450mA to 4500mA	
Nominal Voltage	: 1.2V	
Nominal Capacity	: Min.: 4500mAh Typical: 4950 mAh when discharged at 900mA to 1.0V at 20°C	
Charging Condition	: 450mA for 16 hrs at 20°C	
Service Life	: >500 cycle (IEC61951-1 standard)	
Continuous Overcharge	: Comply with IEC61951-1 Permanent Charge Endurance Test	
Weight	: 120g	
Internal Resistance	: Average 12m Ω upon fully charged (Range : 10-15m Ω) at 1000Hz	
Max. Charging Voltage	: 1.5V at 450mA charging	
Temperature Range	Standard charging	: 0 to 70°C
	Discharging	: -20 to 70°C
	Storage	: -20 to 35°C
	Storage (1 week)	: -20 to 60°C



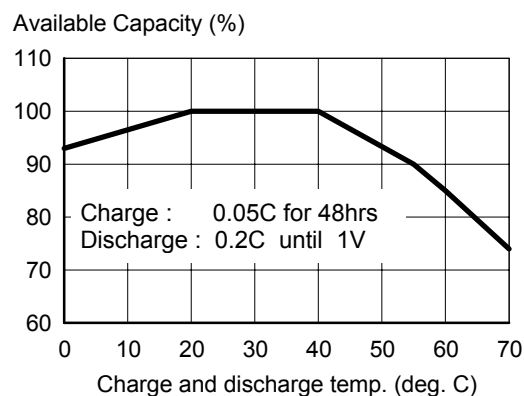
Low Rate Discharge



High Rate Discharge



Charge/discharge efficiency vs. temp.



* The information (subject to change without prior notice) contained in this document is for reference only and should not be used as a basis for product described guarantee or warranty. For applications other than those here, please consult your nearest GP Sales and Marketing Office or Distributors.