

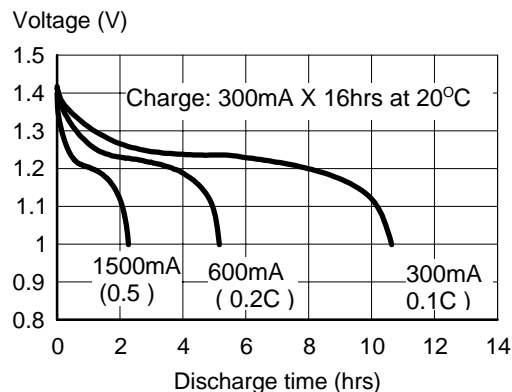
GP Batteries

Data Sheet

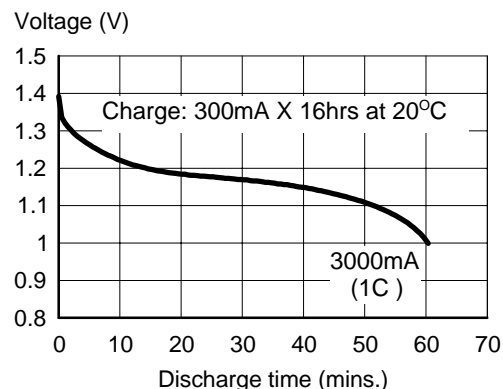
Model No.: GP300CKT

| | | |
|---------------------------------|---|---------------|
| Type | : High Temperature Rechargeable Nickel Cadmium Cylindrical Cell | |
| Nominal Dimension (with Sleeve) | : $\varnothing = 25.8$ mm H = 50.0 mm | |
| Application | : Recommended discharge current 300mA to 3000mA | |
| Nominal Voltage | : 1.2V | |
| Nominal Capacity | : Min.: 3000mAh Typical: 3300 mAh when discharged at 600mA to 1.0V at 20°C | |
| Charging Condition | : 300mA for 16 hrs at 20°C | |
| Service Life | : >500 cycle (IEC61951-1 standard) | |
| Continuous Overcharge | : Comply with IEC61951-1 Permanent Charge Endurance Test | |
| Weight | : 73.0 g | |
| Internal Resistance | : Average 17m Ω upon fully charged (Range : 15-22m Ω) at 1000Hz | |
| Max. Charging Voltage | : 1.5V at 300mA charging | |
| Temperature Range | Standard charging | : 0 to 70°C |
| | Discharging | : -20 to 70°C |
| | Storage | : -20 to 35°C |
| | Storage (1 week) | : -20 to 60°C |

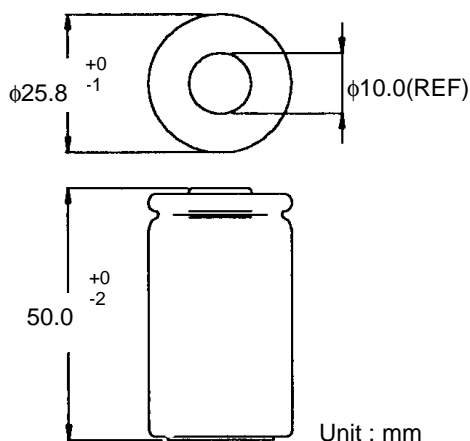
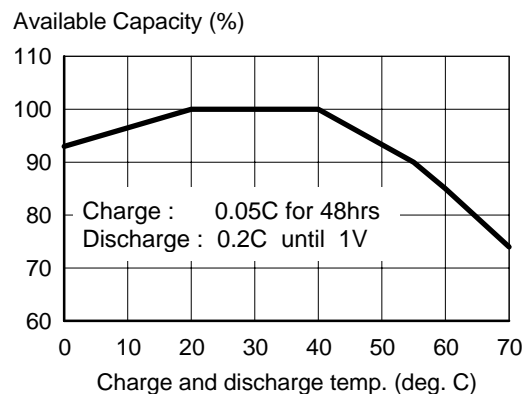
Low Rate Discharge



High Rate Discharge



Charge/discharge efficiency vs. temp.



* The information (subject to change without prior notice) contained in this document is for reference only and should not be used as a basis for product described guarantee or warranty. For applications other than those here, please consult your nearest GP Sales and Marketing Office or Distributors.