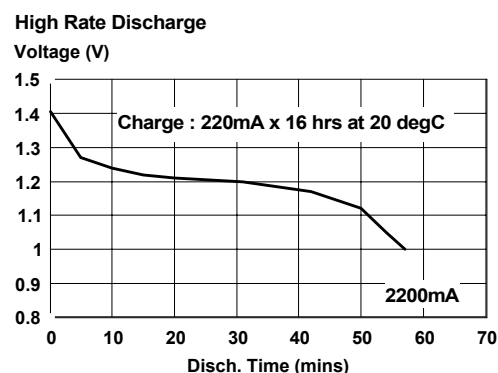
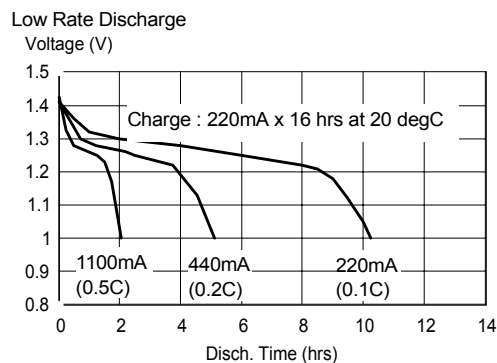


GP Batteries

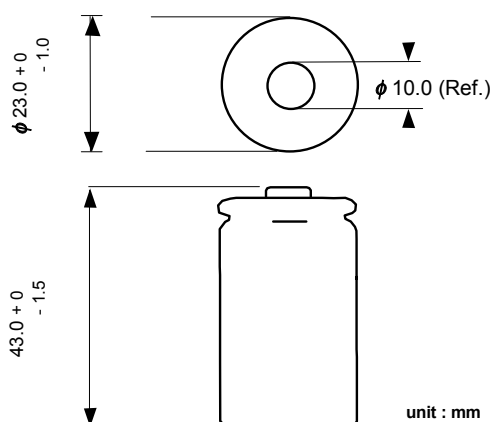
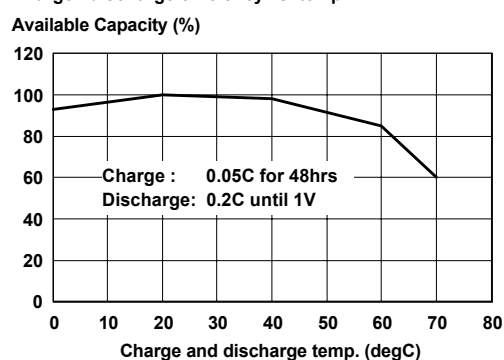
Data Sheet

Model No.: GP220SCHT

| | | |
|---------------------------------|---|----------------|
| Type | : High Temperature Rechargeable Nickel Metal Hydride Cylindrical Cell | |
| Nominal Dimension (with Sleeve) | : $\Phi = 23.0$ mm H = 43.0 mm | |
| Applications | : Recommended discharge current 220mA to 2200mA | |
| Nominal Voltage | : 1.2V | |
| Nominal Capacity | : Minimum : 2200 mAh Typical : 2420mAh when discharge at 440mA to 1.0V at 20°C | |
| Charging Condition | : 220mA for 16 hrs at 20°C | |
| Service Life | : >350 cycles (IEC 61951-2) | |
| Continuous Overcharge | : Comply with IEC61951-2 Permanent Charge Endurance Test | |
| Weight | : 53.0g | |
| Internal Resistance | : Average 20m Ω upon fully charged (Range 17-23m Ω) at 1000Hz | |
| Max. Charging Voltage | : 1.5V at 220mA charging | |
| Ambient Temperature Range | Charging | : 0 to 70°C |
| | Discharging | : -20 to 70°C |
| | Storage | : -20 to 35°C |
| | Storage (1 week) | : -20 to 60 °C |



Charge / discharge efficiency vs. temp.



* The information (subject to change without prior notice) contained in this document is for reference only and should not be used as a basis for product guarantee or warranty. For applications other than those described here, please consult your nearest GP Sales and Marketing Office or Distributors.