

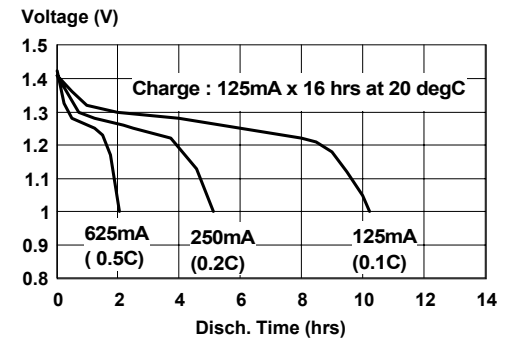
GP Batteries

Data Sheet

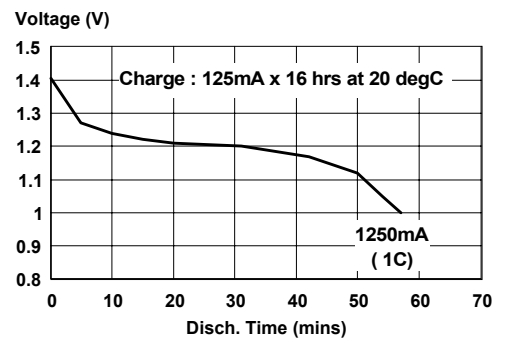
Model No.: GP125AAMT

Type	: High Temperature Rechargeable Nickel Metal Hydride Cylindrical Cell	
Nominal Dimension (with Sleeve)	: $\Phi = 14.4\text{mm}$ H = 48.2 mm	
Applications	: Recommended discharge current 125mA to 1250mA	
Nominal Voltage	: 1.2V	
Nominal Capacity	: Minimum : 1250 mAh Typical : 1280mAh when discharge at 250mA to 1.0V at 20°C	
Charging Condition	: 125mA for 16 hrs at 20°C	
Service Life	: >350 cycles (IEC 61951-2)	
Continuous Overcharge	: Comply with IEC61951-2 Permanent Charge Endurance Test	
Weight	: 26.0g	
Internal Resistance	: Average 23m Ω upon fully charged (Range 18-28m Ω) at 1000Hz	
Max. Charging Voltage	: 1.5V at 125mA charging	
Ambient Temperature Range	Charging	: 0 to 70°C
	Discharging	: -20 to 70°C
	Storage	: -20 to 35°C
	Storage (1 week)	: -20 to 60 °C

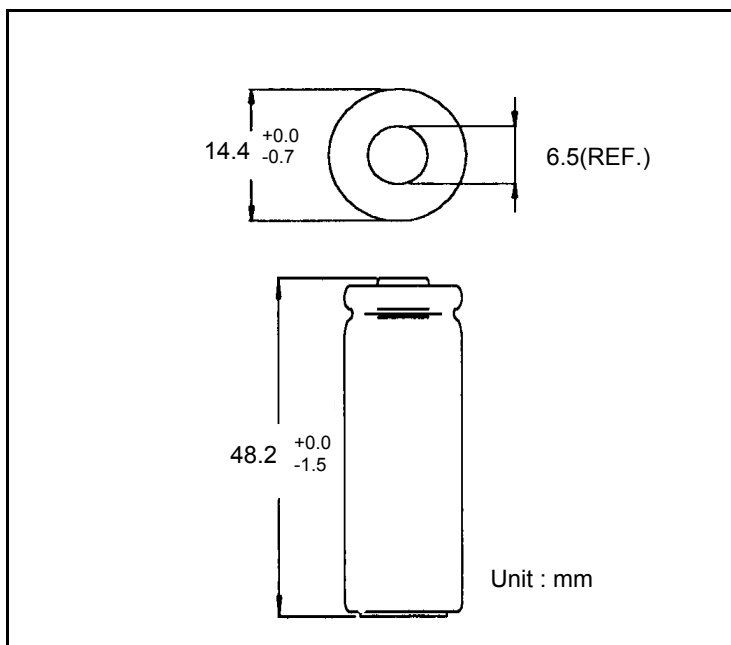
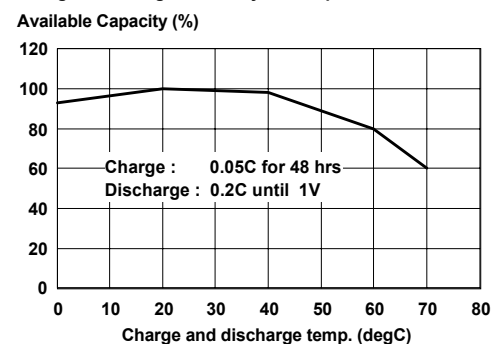
Low Rate Discharge



High Rate Discharge



Charge / discharge efficiency vs. temp.



* The information (subject to change without prior notice) contained in this document is for reference only and should not be used as a basis for product guarantee or warranty. For applications other than those described here, please consult your nearest GP Sales and Marketing Office or Distributors.