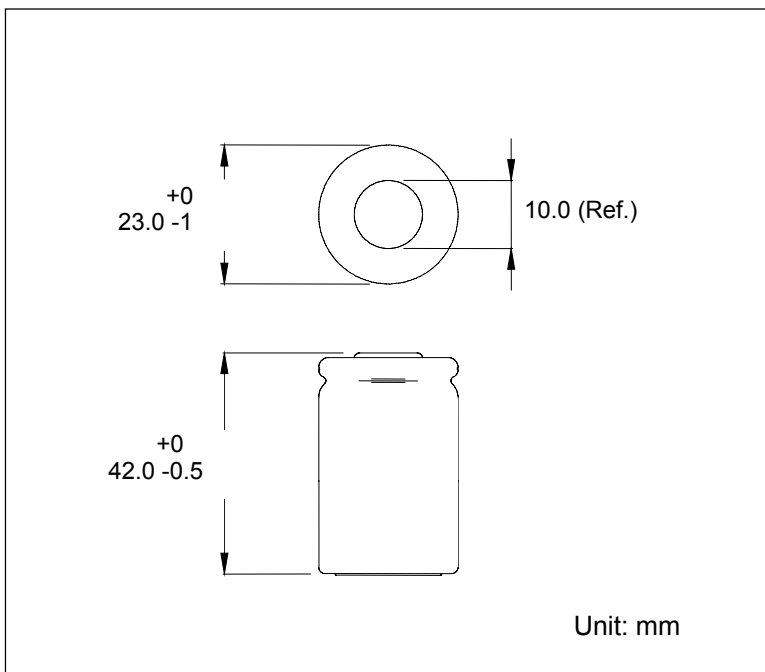


GP Batteries

Data Sheet

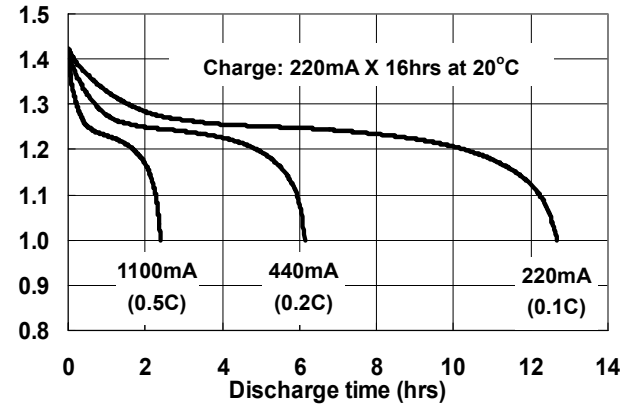
Model No.: GP220SCHTD

Type	: High Temperature Rechargeable Nickel Metal Hydride Cylindrical Cell
Nominal Dimension (with Sleeve)	: $\Phi=23.0\text{mm}$ H=42.0mm
Applications	: Recommended discharge current 220mA to 6600mA
Nominal Voltage	: 1.2V
Capacity	: Nominal: 2200mAh Minimum: 2200mAh Typical: 2420mAh When discharge at 440mA to 1.0V at 20°C
Charging condition	: 220mA for 16hrs at 20°C
Service Life	: >350 cycles (IEC 61951-2)
Continuous Overcharge	: Comply with IEC61951-2 Permanent Charge Endurance test
Weight	: 53.5g
Internal Resistance	: Average $9\text{m}\Omega$ upon fully charged (Range 6-12m Ω) at 1000Hz
Max. charging Voltage	: 1.5V at 220mA charging
Ambient Temperature Range	: Standard charging : 0 to 70°C Discharging : -20 to 70°C Storage : -20 to 35°C Storage (1week) : -20 to 60°C



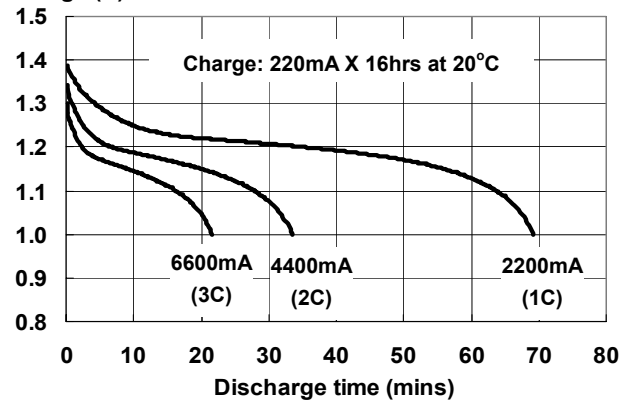
Low rate Discharge

Voltage (V)



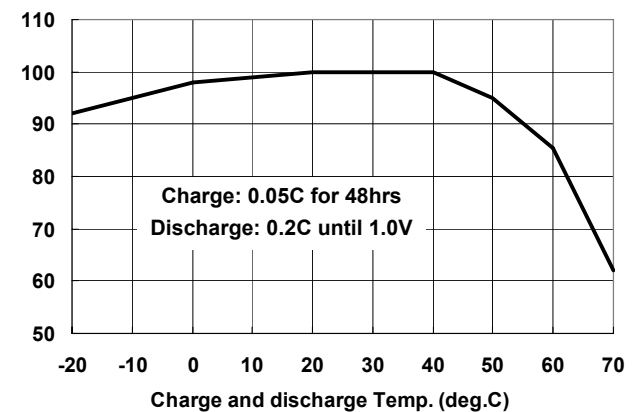
High Rate Discharge

Voltage (V)



Charge/discharge efficiency vs. Temp.

Available capacity (%)



notice) contained in this document is for reference only and should not be used as a basis for product guarantee or warranty. For applications other than those described here, please consult your nearest GP Sales and Marketing Office or Distributors.