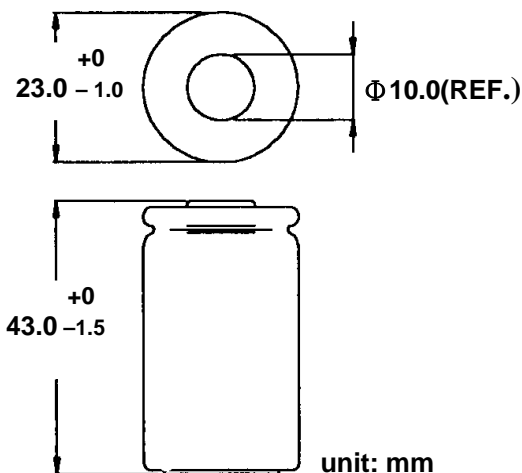
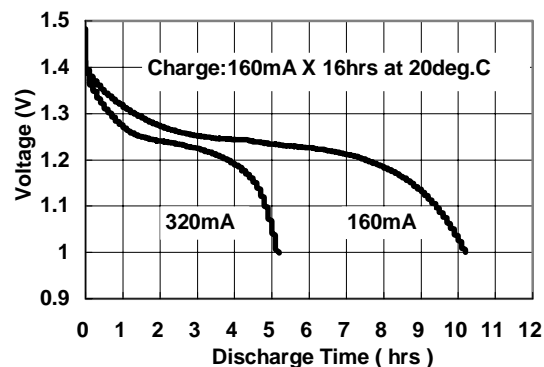


Model No.: GP160SCHT

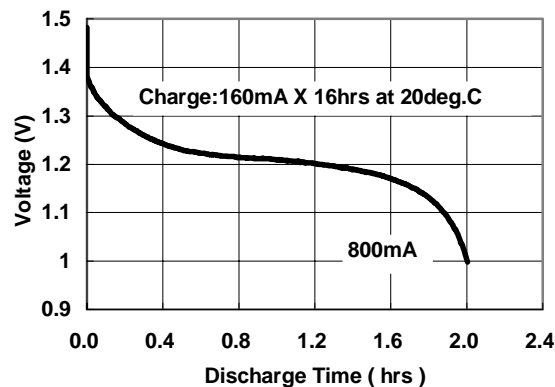
Type	: High Temperature Rechargeable Nickel Metal Hydride Cylindrical Cell
Nominal Dimension (with Sleeve)	: $\Phi = 23.0\text{mm}$ H = 43.0mm
Applications	: Long term standby use. Recommended discharge current: 160mA to 800mA
Nominal Voltage	: 1.2V
Capacity	: Nominal: 1600mAh Minimum: 1600mAh Typical: 1680mAh When discharged at 320mA to 1.0V at 20°C
Charging Condition	: Standard mode: 160mA for 16 hrs at 20°C Standby intermittent mode: 160mA for 16 hrs at 20°C then maintenance with 160mA for 1mins/10mins.
Service Life	: >350 cycles (IEC 61951-2) Designed for 10 years standby life, end of life capacity is 60% of nominal capacity at 40°C.
Continuous Overcharge	: Comply with IEC61951-2 Permanent Charge Endurance Test
Weight	: 41.5g
Internal Resistance	: Average 25 m Ω upon fully charged (Range 23 –28 m Ω) at 1000Hz
Max. Charging Voltage	: 1.5V at 160mA charging
Ambient Temperature Range	: Charge: 0 to 50°C Discharging: -20 to 70°C Storage: -20 to 35°C Storage (1 week): -20 to 60°C



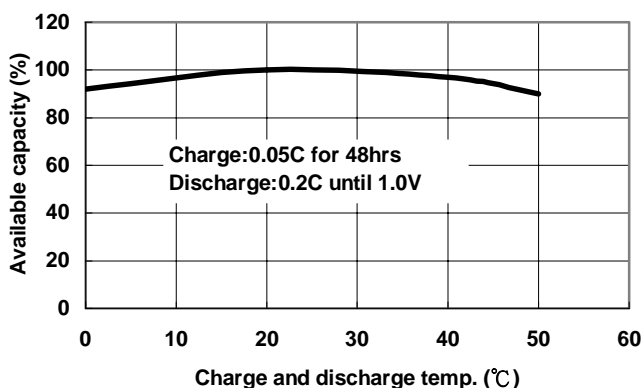
Low Rate Discharge



High Rate Discharge



Charge / Discharge efficiency Vs. temp.



The information (subject to change without prior notice) contained in this document is for reference only and should not be used as a basis for product guarantee or warranty. For applications other than those described here, please consult your nearest GP Sales and Marketing Office or Distributors.